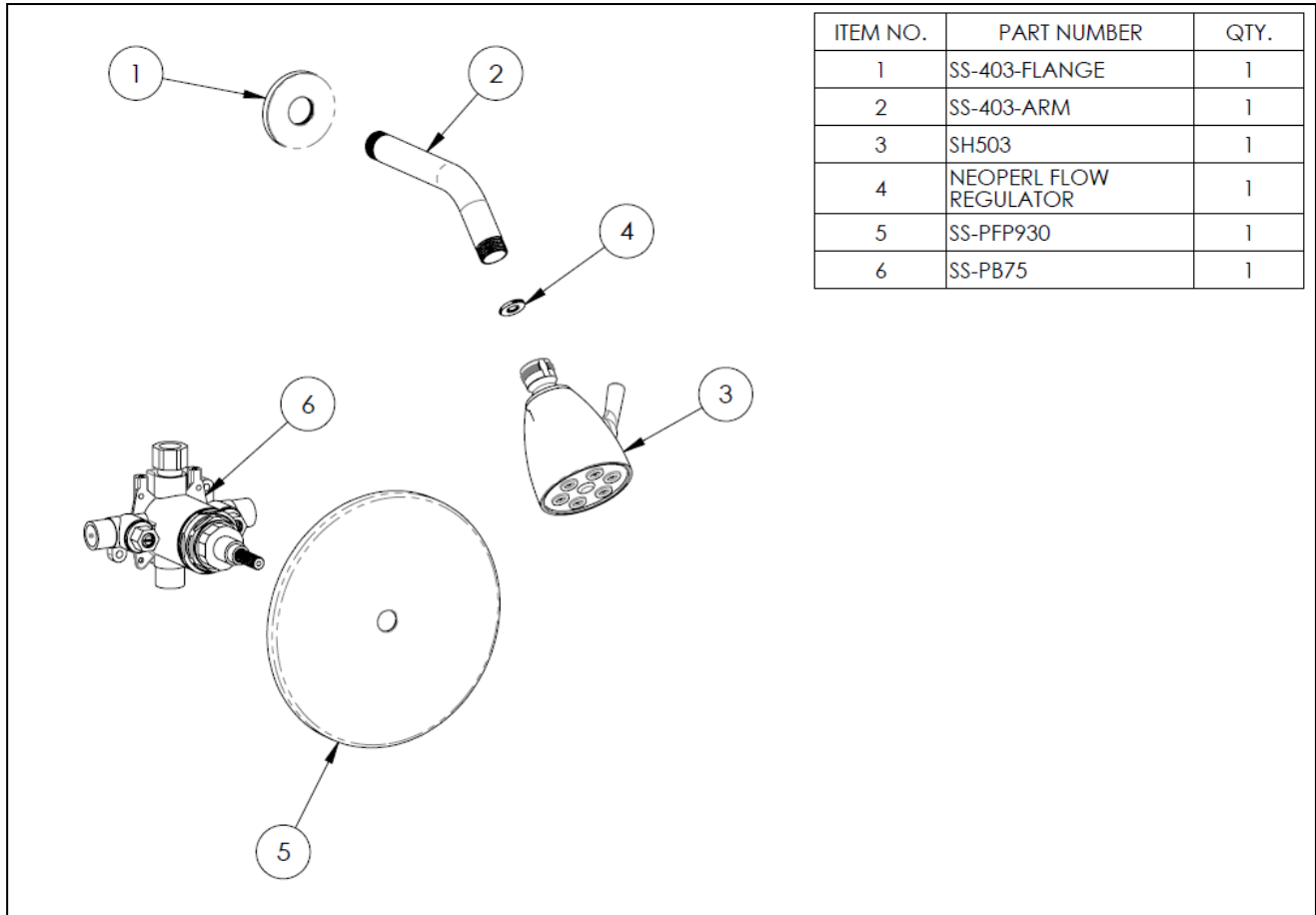


FEATURES

- Diaphragm cartridge maintains water temperature within $\pm 2^\circ$
- Compensates for water pressure fluctuations preventing scalding
- Flow rate: 5-7 gpm at 80 psi
- Solid brass construction
- Warranty:
 - Limited lifetime warranty (residential use)
 - One year (commercial use)
- Standard finishes:
 - polished chrome
 - satin nickel
 - polished nickel
 - rustic brass
- Listed by IAPMO, CSA, NSF, and other municipalities
- Shipping weight (lbs.): 12
- Shipping dimensions(in.): 23x13x9



IMPORTANT INSTALLATION INFORMATION

- USE TEFLON TAPE OR PIPE SEALANT FOR THREADED CONNECTIONS
- DO NOT USE PLUMBER'S PUTTY ON ANY OF THE BRASS COMPONENTS
This will cause the finish to tarnish and void the warranty. A non-corrosive Alkoxy Silicone is recommended.
- DURING SWEATING OF LINES DO NOT OVERHEAT CASTING
Overheating may cause damage to internal mechanism
- COPPER ADAPTORS MAY BE REQUIRED TO COMPLETE YOUR INSTALLATION

1. **Ensure valve is properly installed according to Installation Sheet provided with valve.**

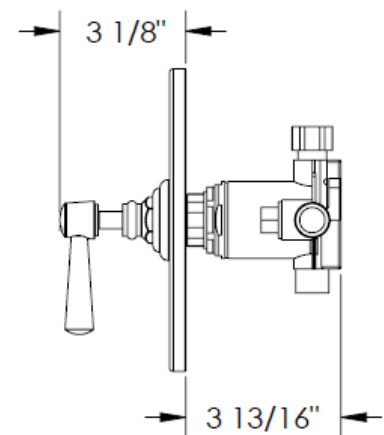
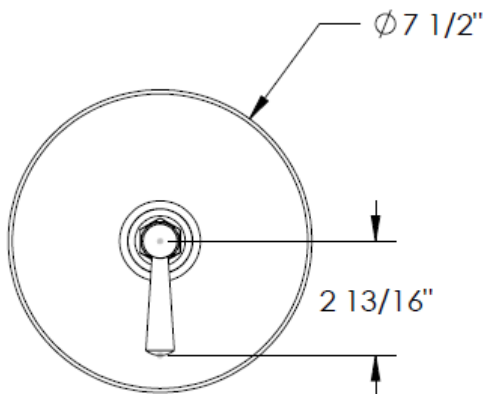
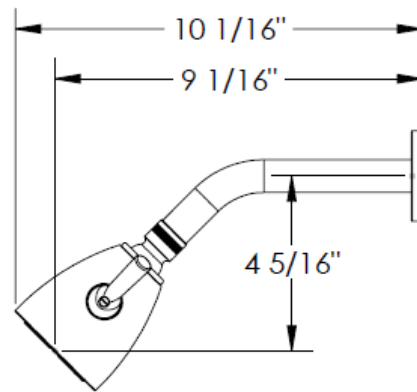
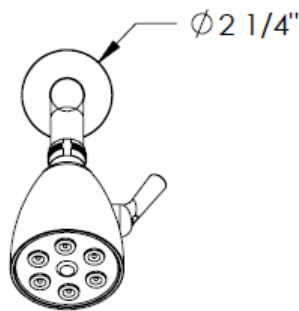
Note: Specification from finished wall to tip of broached stem is 4".

2. **Fit faceplate onto valve.**

3. **Insert handle trim onto stem broach so that escutcheon (refer to "Handle Trims" section) rests against faceplate (5) and slight clearance is left for handle to rotate freely.**

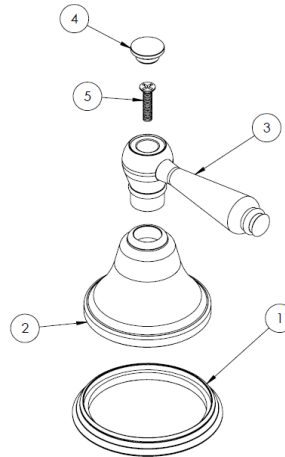
Note: When fitting handle it may be necessary to shorten broach stem and/or threaded nipple to eliminate gap between handle and escutcheon.

NOTE: The above installation instructions apply to the "Y2" handle trim and can be tailored to fit any handle trim

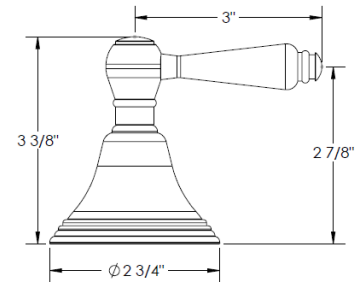


HANDLE TRIMS

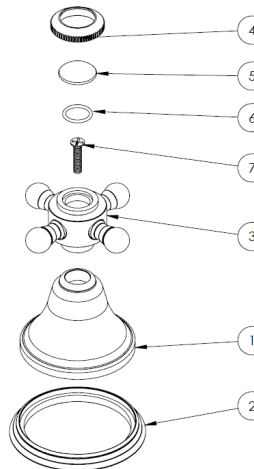
New York (Code: A)



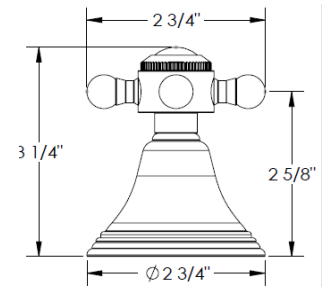
ITEM NO.	PART NUMBER	QTY.
1	A-ESC-RING	1
2	A-ESC	1
3	A-LVR	1
4	A-POST-CAP	1
5	CR-FHMS 0.164-32x0.75x0.75-S	1



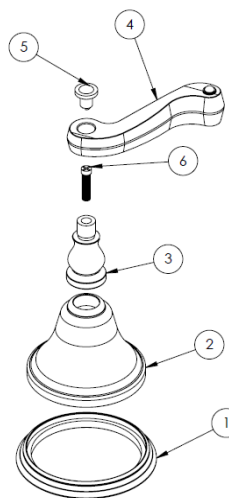
Charlton (Code: AXP)



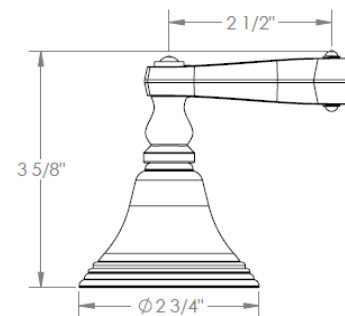
ITEM NO.	PART NUMBER	QTY.
1	A-ESC-RING	1
2	A-ESC	1
3	X-POST	1
4	X-CAP-RING	1
5	X-PRCLN-INSRT-(PLN/COLD/HOT)	1
6	AS568 - 014	1
7	CR-FHMS 0.164-32x0.75x0.75-S	1



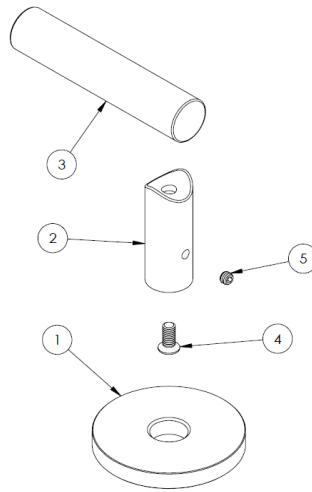
Houston (Code: F)



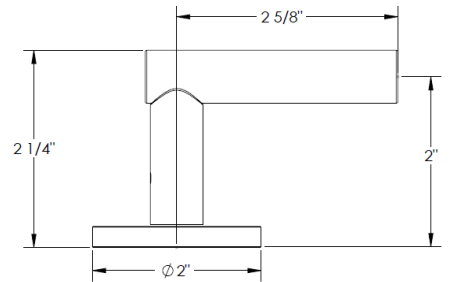
ITEM NO.	PART NUMBER	QTY.
1	A-ESC-RING	1
2	A-ESC	1
3	F-POST	1
4	F-LVR	1
5	F-POST-CAP	1
6	F-POST-SCRW	1



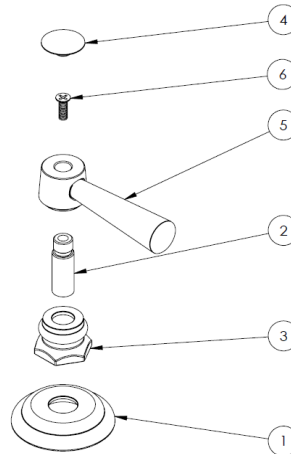
Wooster (Code: L8)



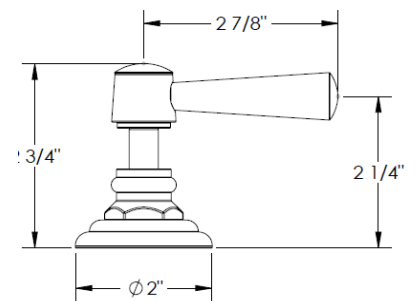
ITEM NO.	PART NUMBER	QTY.
1	BK-ESC	1
2	L8-POST	1
3	CL14-LVR	1
4	CR-FHM1 0.164-32x0.375x0.375-S	1
5	SSCUPSKT 0.164-32x0.125-HX-S	1



Williams (Code: Y2)



ITEM NO.	PART NUMBER	QTY.
1	S1-ESC	1
2	S1-STEM	1
3	S1-ESC-NUT	1
4	SA1-POST-CAP	1
5	SA1-LVR	1
6	CR-FHM1 0.164-32x0.5x0.5-S	1



For technical support, please call 718-257-2800